

Parts

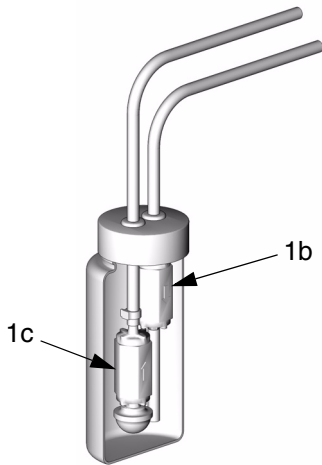
248061 Complete Kit, Models E-20 and E-XP1; includes items 1-10

248062 Complete Kit, Model E-XP2; includes items 1-10

248063 Complete Kit, Model E-XP2; includes items 1-8, 10

246928 Reservoir Kit, All Models; includes items 1-8

Detail of Check Valves

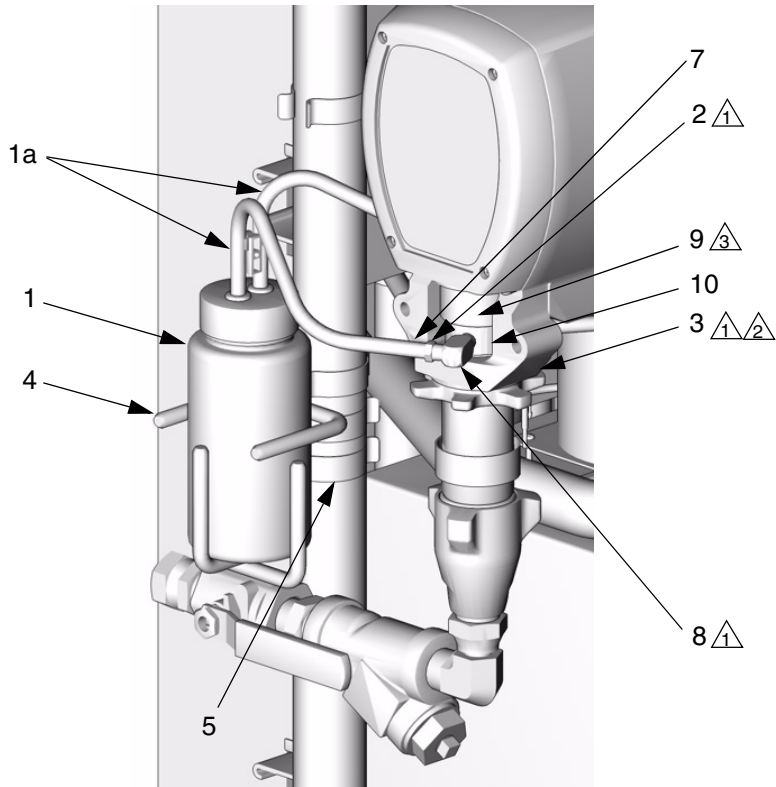


TI4170a

△1 Torque to 10-15 ft-lb (14-20 N•m).

△2 Out of view.

△3 Not used on Model E-30.



TI3765a-2

Ref. No.	Part No.	Description	Qty	Ref. No.	Part No.	Description	Qty
1	246995	ASSEMBLY, reservoir; includes 1a-1c	1	8	191892	ELBOW; 1/8 npt (m x f)	1
1a	054826	. TUBE; PTFE; 1/4 in. (6 mm) ID; 2 ft (0.6 m)	2	9	15C587	GUARD, finger; E-20 and E-XP1; used on Kit 248061	1
1b	118433	. VALVE, check, outlet	1		15C588	GUARD, finger; E-XP2; used on Kit 248062	1
1c	118432	. VALVE, check, inlet	1	10	246962	KIT, wet-cup conversion; E-20 and E-XP1; used in Kit 248061; see 309577 for parts	1
2	116746	FITTING, barbed	2		246963	KIT, wet-cup conversion; E-XP2; used in Kit 248062; see 309577 for parts	1
3	C19263	PLUG, pipe; 1/8 npt	2		246964	KIT, wet-cup conversion; E-30; used in Kit 248063; see 309577 for parts	1
4	15C568	HOLDER, reservoir	1				
5	186494	CLIP, spring	2				
6	206995	THROAT SEAL LIQUID; 1 qt (1 liter)	1				
7	103473	WIRE TIE	2				